

Broaching Unit

The new state of the art broaching unit for economic manufacturing of oriented keyways and splines.

Faster return on investment.



In operation:

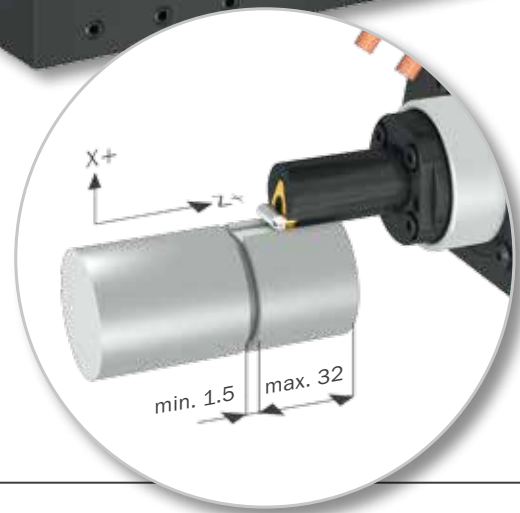
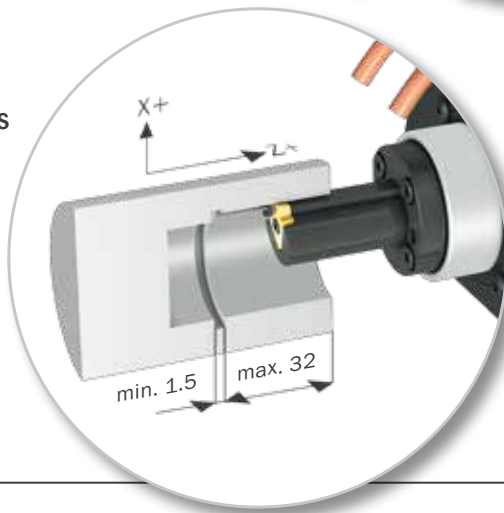


Broaching Unit for ID and OD

Working stroke	32 mm
Total stroke	35 mm
Max. groove width	10 mm
Workpiece material	up to 1,000 N/mm ²
Max. stroke	1,000 1/min
Ratio	1:1
Max. feed per stroke	0.15 mm
Direction of cut	X+ or X-



Same insert holder for ID and OD broaching by rotating 180 degrees



Function

1
Position insert on Z



2
Cutter drives into workpiece



3
Cutter lifts from workpiece



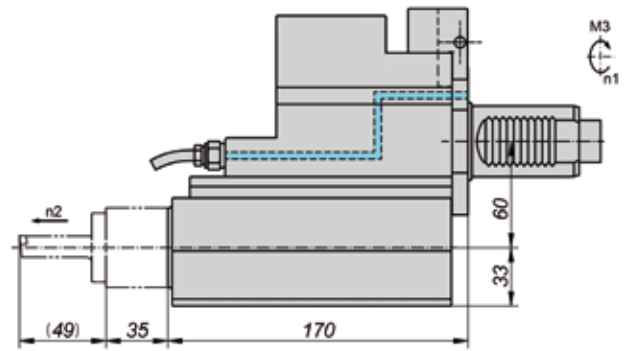
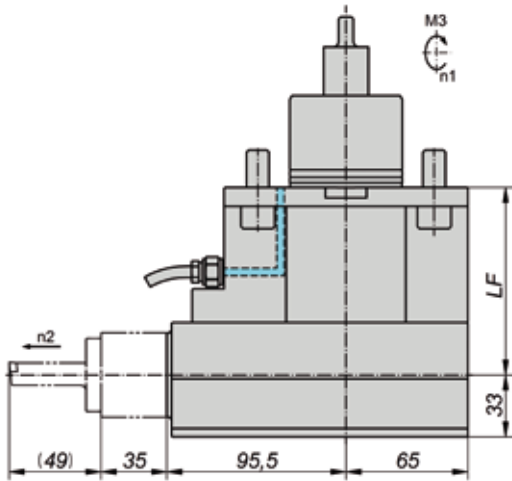
4
Lift-off function prevents wear/breakage when cutter retracts



Broaching Unit – OD mounted

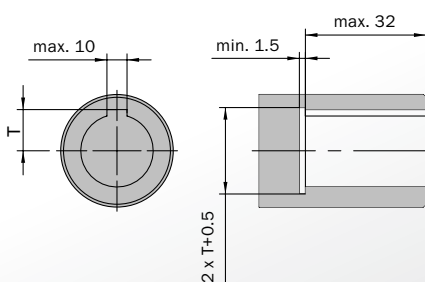


Broaching Unit – Face mounted

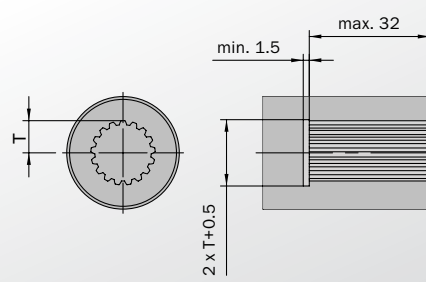
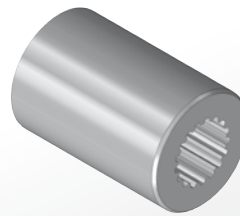


Sample workpieces

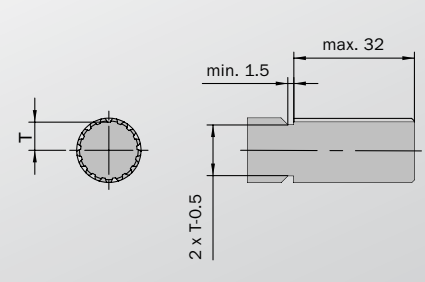
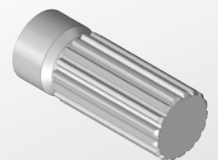
Keyway

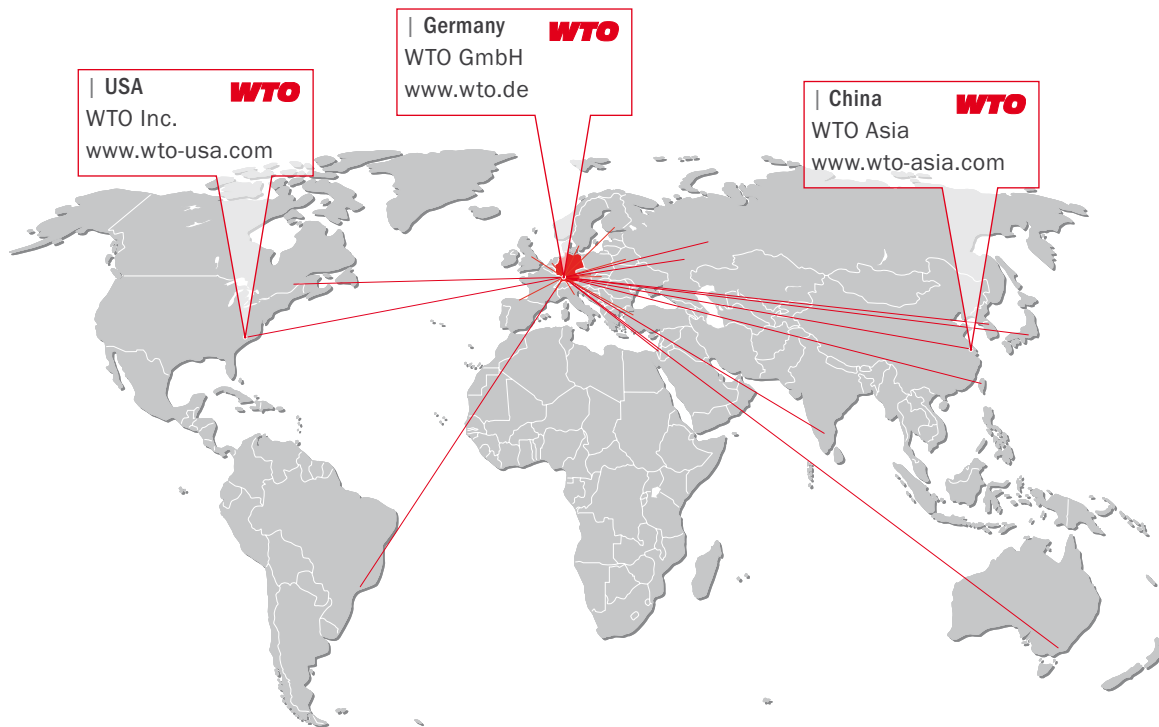


Internal involute spline according to DIN 5482



External involute spline according to DIN 5480





| USA
WTO Inc.
www.wto-usa.com

| Germany
WTO GmbH
www.wto.de

| China
WTO Asia
www.wto-asia.com

WTO GmbH
Auf der oberen Au 45
77797 Ohlsbach
Germany

WTO USA
13900 S Lakes Dr Ste F
Charlotte NC 28273-7119
USA

WTO Asia
Room 109-110, Building 2
No. 228 Banting Road
Jiuting Town,
Songjiang District
201615 Shanghai
China

Our distribution partners. Competence right there.

| Australia
Dimac Tooling Ltd.
sales@dimac.com.au

| Finland
Suomen Terätuonti Oy
myynti@stt.as

| Korea
WTO Office Korea
is.chon@wto-korea.com

| Slovakia
ALBA precision s.r.o.
albaprecision@albaprecision.sk

| Belarus
JSC "PMI Engineering"
tool@pmi.by

| France
Philippe Tagliafero
pta@wto.de

| Mexico
Workholding Engineering De México
info@wem.com.mx

| Spain
ITALMATIC, S.A.
italmatic@italmatic.es

| Brazil
TF2
tfdois@tfdois.com.br

| Great Britain
Cutwel Ltd.
sales@cutwel.net

| Netherlands
Klein Tooling B.V.
verkoop@kleintooling.nl

| Sweden
Komet Scandinavia AB
scandinavia@kometgroup.com

| Canada
Mittmann Industrial Inc.
info@mittmann.com

| India
A.H. Rao
ahr.rao@gmail.com

| Norway
Helge Karlsen Verktøy og Maskin AS
hkvm@hkvm.no

| Switzerland
Utilis AG
info@utilis.com

| China
Shanghai Gangde
wtocando@aliyun.com

| Israel
E.Y.A.R. Ltd.
yehoshua@eyar.co.il

| Poland
ARCO Andrzej Rudenko
info@arcotools.pl

| Taiwan
Kaiko Co., Ltd.
info@kaiko.com.tw

| Czech Republic
ALBA precision, spol. s.r.o.
info@albaprecision.cz

| Italy
Prymark srl
commerciale@prymark.it

| Romania
SC Elif Trading SRL
bulent.ozkan@eliftrading.com

| Turkey
MYK CNC MAKINA SAN. VE
huseyin.tatlidil@mykcnc.com.tr

| Denmark
Tool-part
cj@tool-part.dk

| Japan
NK Works Co. Ltd.
k_samba@nk-works.co.jp

| Russia
WTO Office Russia
office@wto-russia.com

| Ukraine
„LLC“ SPA Stankopromimport
info@phoenix-ua.com